

FORA[®] IR20

Clinically
Validated

Ear Thermometer

Designed for professionals and end-users



38.0
°C

Two-colour
LCD indicator

Accurate. Easy to Use.

- One-Touch measurement
- Fever Alarm
- Probe cover detection & ejection
reduces the possibility of cross-infection



FORA[®] IR20 Ear Thermometer



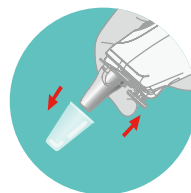
Easy and Quick



**One Touch
Measurement**



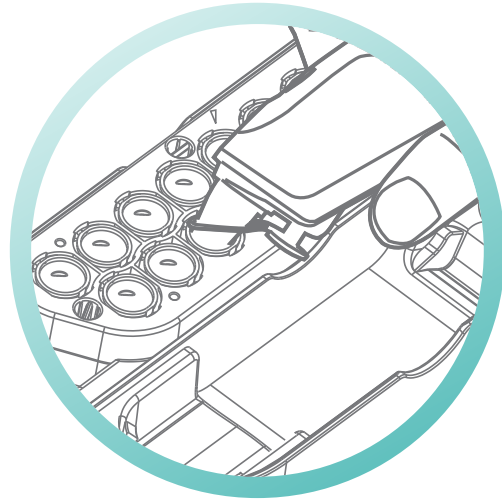
**Two-colour
LCD indicator**



**Probe Cover
Detector & Ejector**

Easy Test in 4 Steps

1 Press the infrared probe into the storage tray



2 Secure the cover to the probe and remove it from the storage tray

3 Take an ear temperature



4 After the measurement, press the ejection button to eject the cover into an appropriate disposal container

Accurate. Easy to Use.

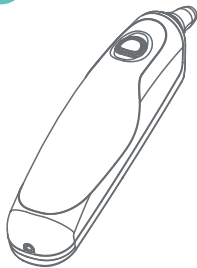
FORA® IR20 Ear thermometer series, with its **Advanced Infrared Technology**, provide hospital-grade ear temperature measurements with a **quick result in only 1 second**.

The ear thermometer **comes with probe covers for a more hygienic process**. Besides, it features **LCD backlight, fever alert, and data connection**.

FORA® IR20 is the best option for professionals and end-users.

Contents

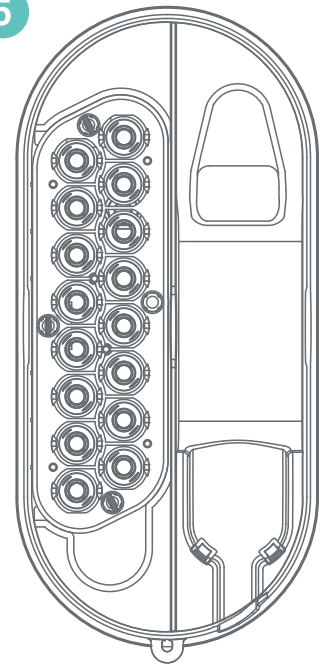
1



2



5



3



4



1

Ear Thermometer

4

1.5V AAA Alkaline Batteries

2

Operating Instructions

5

Storage Tray

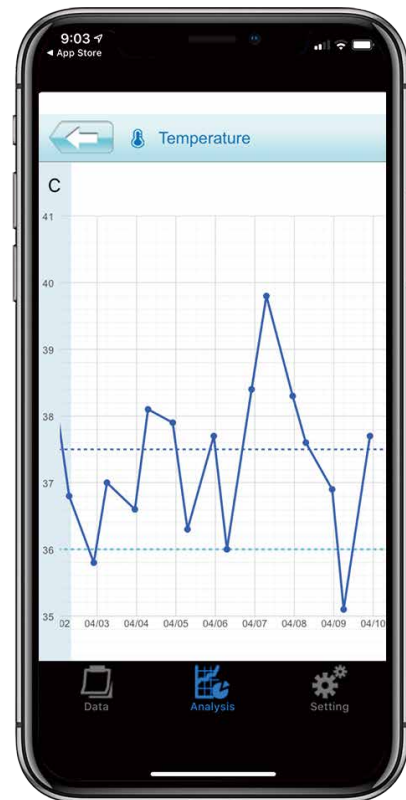
3

Warranty Card

Viewing Results on a Mobile device

IR20b Bluetooth®

With the Bluetooth connectivity, FORA® IR20b allows end-users to track their temperature data by the **iFORA MP** app.



Viewing Results on a Personal Computer

IR20c Transmitting data via Cable

Step 1 Install Software

Install Health Care System Software on your computer by following the instructions on Fora Care's website.

Step 2 Connect to Personal Computer

Connect the interface cable to a serial port on the back of your computer. With the thermometer turned off, connect the interface cable to the data port located at the bottom of the thermometer. Then "PCL" will appear on the display, indicating that the thermometer is ready to transmit data.

Step 3 Transmit Data

Follow the instructions provided in the software to transmit data. Results transmitted will include date and time. Remove the cable and the thermometer will automatically turn off.

Specifications



FORA® IR20

| | |
|---------------------------|---|
| Dimensions (mm) | 160.5 (L) x 32.5 (W) x 45.9 (H) |
| Weight | 105.5g (include batteries) |
| Battery | 2 x 1.5V AAA alkaline batteries |
| Connectivity | Bluetooth (IR20b) / RS-232 Cable (IR20c) |
| Temperature range | 32°C to 43°C (89.6°F to 109.4°F) |
| Display resolution | 0.1°C / 0.1°F |
| Accuracy | Meet the accuracy requirement specified in ASTM E1965-98 <ul style="list-style-type: none"> ±0.2°C (±0.4°F) for the range of 36.0°C to 39.0°C (96.8°F to 102.2°F) ±0.3°C (±0.5°F) from 34.0°C to 35.9°C (93.2°F to 96.6°F) and from 39.1°C to 42.2°C (102.4°F to 108.0°F) |
| Temperature unit | °C / °F |
| Operating condition | 10°C to 40°C (50°F to 104°F) |
| Operating humidity | 95% RH or less |
| Storage temperature range | -20°C to 60°C (-4°F to 140°F) |
| Storage humidity | 95% RH or less (non condensing) |
| Memory capacity | 10 measurements |
| LCD backlight | Yes, Dual Color |

This device has been tested to meet the electrical and safety requirements of: ASTM E1965-98, EN 12470-5, EN 60601-1-2:2007/AC:2010, EN 60601-1-4:1996, EN 60601-1-6:2010, EN 301 489-17, EN 300 328.

FORA® IR20 Ear Thermometer Probe Cover

| | |
|-------------------|---|
| Composition | PE; Polyethylene |
| Storage condition | -20°C to 60°C (-4°F to 140°F), below 95% relative humidity. |

Use only with FORA IR20 Ear Thermometer.

The probe cover is a disposable plastic cover made of polyethylene material which can be fitted on the probe tip of the thermometer. It is used as a sanitary barrier between the infrared thermometer and the ear canal to prevent any ear secretions or particulates from being transferred between different users.



ForaCare Suisse AG

Neugasse 55, 9000 St. Gallen, Switzerland

TEL : +41-71-220-1001

FAX : +41-71-220-1075

URL : www.foracare.ch

E-mail : chservice@foracare.com

FORA IR20 Brochure_Rev2.0_20220914



www.foracare.ch